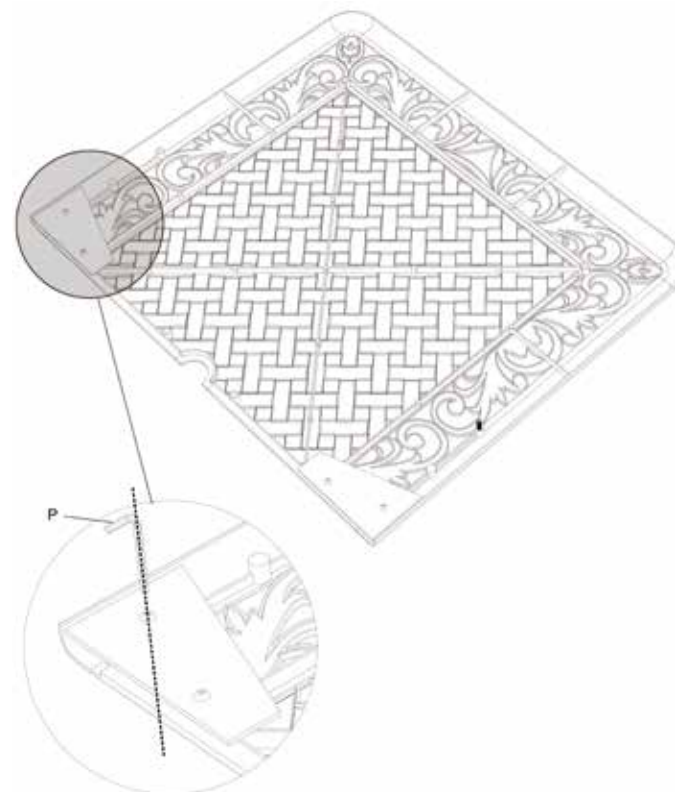
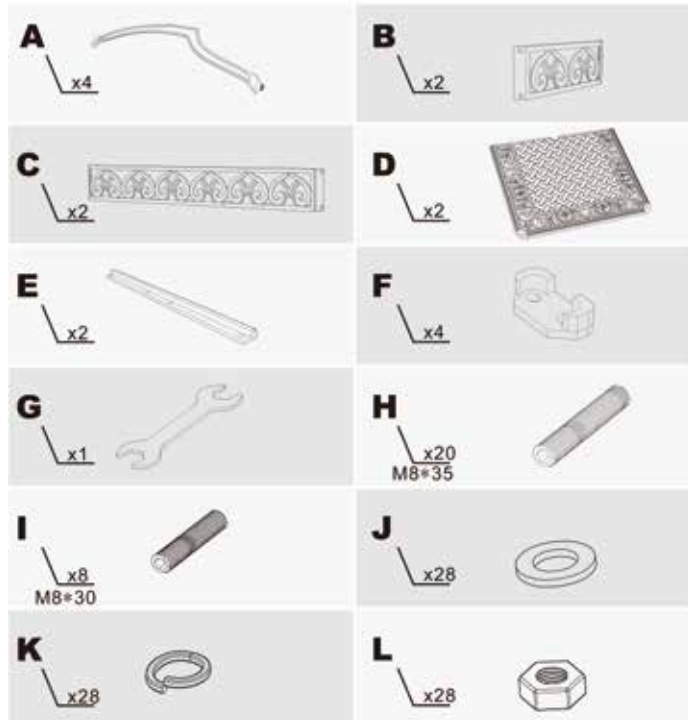


Montageanleitung/Assembly Instruction

Art. Nr./Item No. 80965

DE: WICHTIG: BITTE SORGFÄLTIG LESEN UND FÜR KÜNFTIGE RÜCKFRAGEN AUFBEWAHREN.

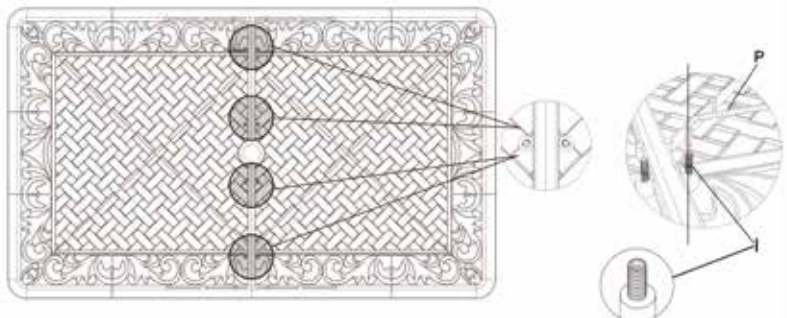
EN IMPORTANT; KEEP FOR FUTURE REFERENCE: READ CAREFULLY



Please remove this protective steel piece before assembling.

Außenmöbel für die Verwendung im Wohnbereich. Outdoor furniture for domestic use.

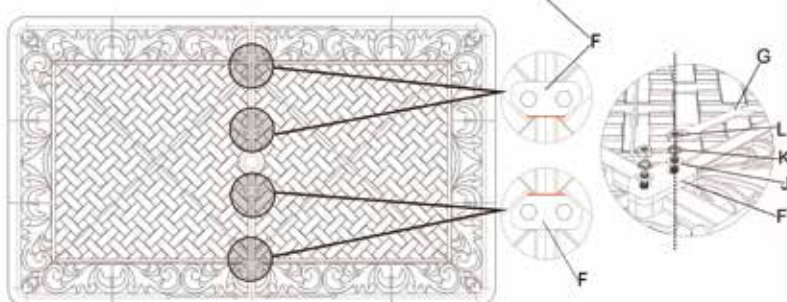
1




When installing the screws (I), the hollow end faces outwards, so that it can be fixed by hex key(P) later.

2

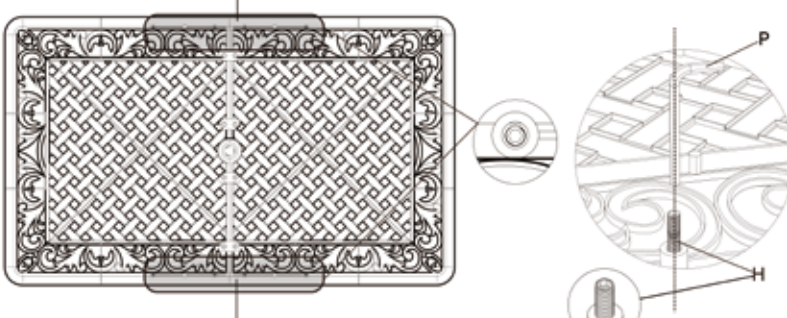
Please pay attention to the direction of F, install with the short side facing inward.
Please install part J K L in strict accordance with the order shown in the figure.





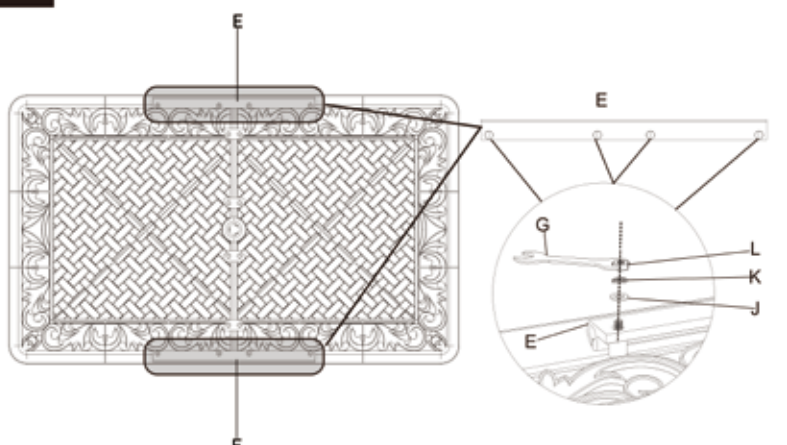
If the length of screw is not enough and the nut is not easy to install, you can use the hex key (P) to loosen it a bit


3



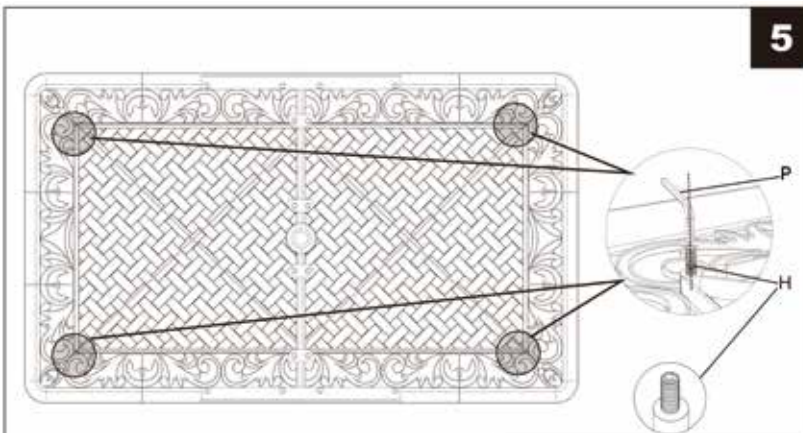
When installing the screws (H), the hollow end faces outwards, so that it can be fixed by hex key(P) later.

4





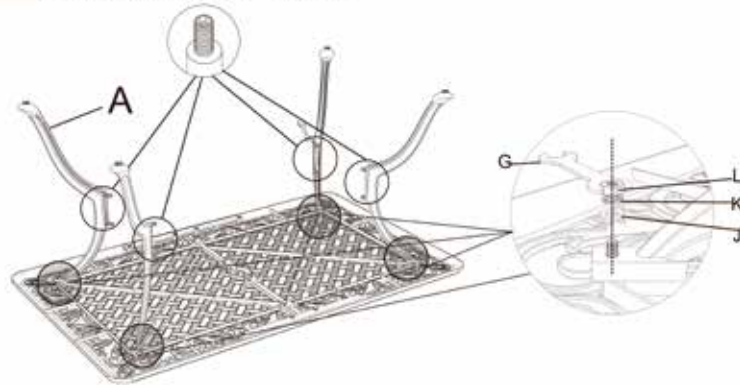
Please install part J K L in strict accordance with the order shown in the figure.



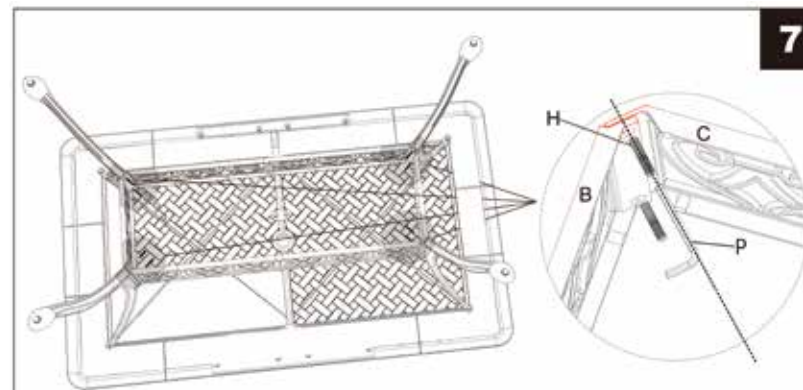
5

When installing the screws (H), the hollow end faces outwards, so that it can be fixed by hex key(P) later.

6 When installing the screws (H), the hollow end faces outwards, so that it can be fixed by hex key(P) later.

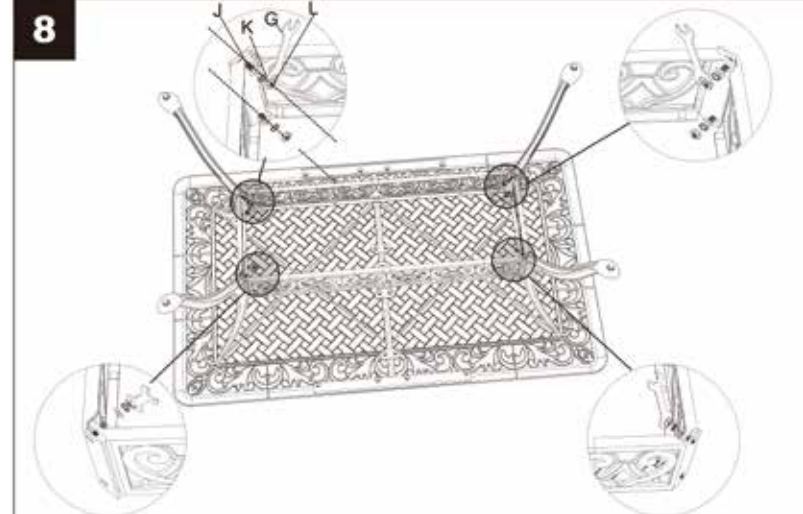


⚠ Do not fully tighten screws prior to complete assembly.



7

1. Please note that the pattern direction of the panel is consistent before installation.
2. Please pay attention to the installation direction, the larger opening panel should be installed first, then the smaller opening panel.
3. If one side of the panel is installed first (large opening), the other side is installed later (small opening).



8

- ⚠ Please install part J K L in strict accordance with the order shown in the figure.
- ⚠ Do not fully tighten screws prior to complete assembly.

9



When inserting an umbrella, remove the cover(N).

10



The legs with 1 cm regulator make it in good balance, adapt to uneven ground